

INSTALLATION INSTRUCTIONS:

EMHB1 -High Output Emergency Pod

Specification:

Rated Voltage:	220-240V ~50/60Hz
Rated Power:	5W
Power Factor:	0.4
Supply Current:	52mA
Battery:	Ni-Cd, 12V, 3000mAh
Charge time:	24Hrs
Lumens:	1000
Emergency Duration:	>180 minutes
Charge time:	24Hrs
Fuse:	1A/3.15A
Ta:	0C - 40C

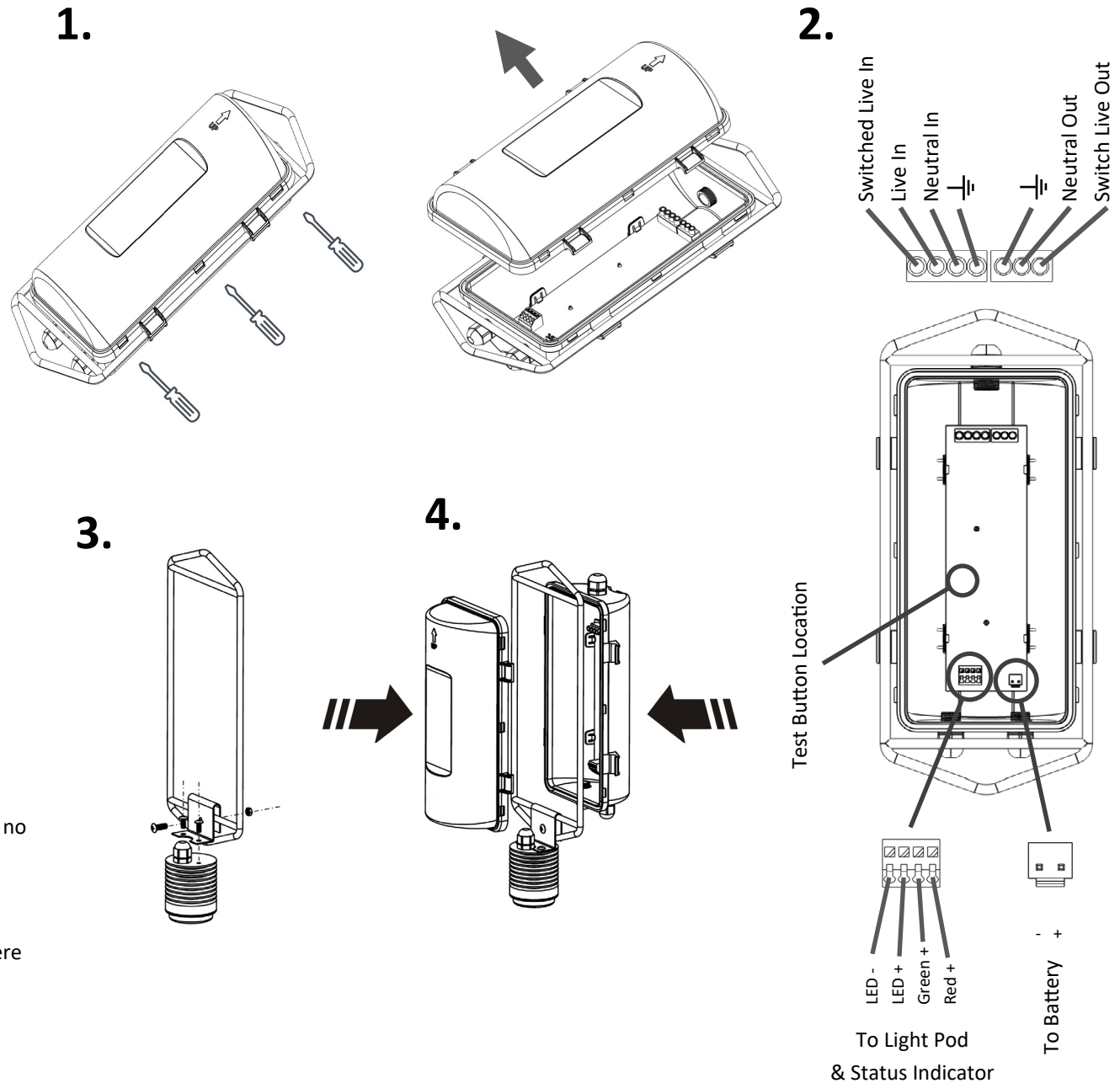
Notes:

Products to be installed only by a qualified electrician.

Batteries should be replaced when the rated operating duration can no longer be met.

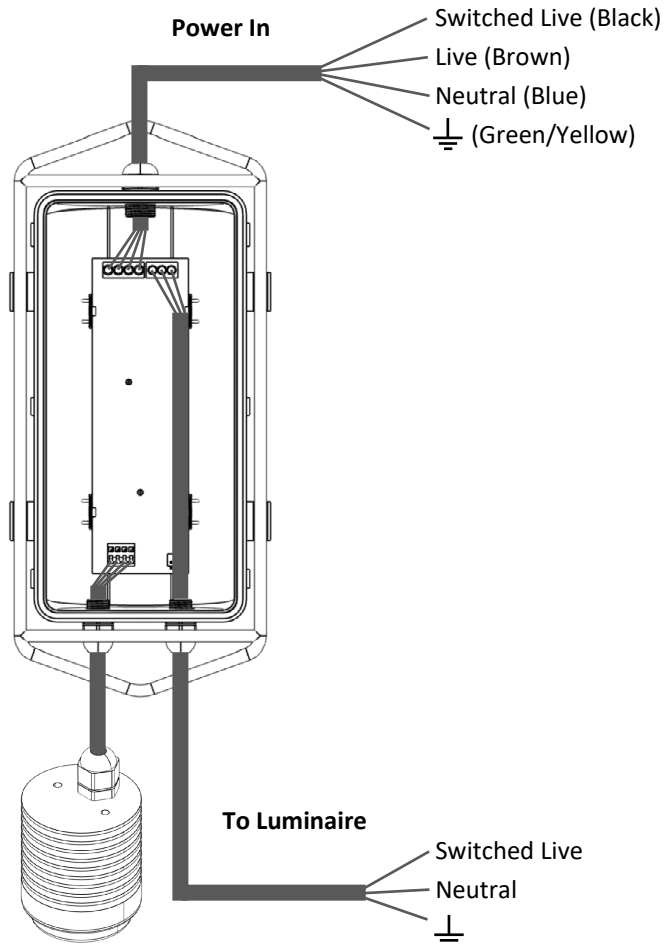
Standalone Installation

1. Remove the outer shell by releasing the plastic retaining clips where indicated.
2. Plug battery into PCB header.
3. Mount LED pod onto hanger using supplied bracket.
4. Snap pod casing onto hanger. Excess cable is retained by plastic clips on reverse of pod.

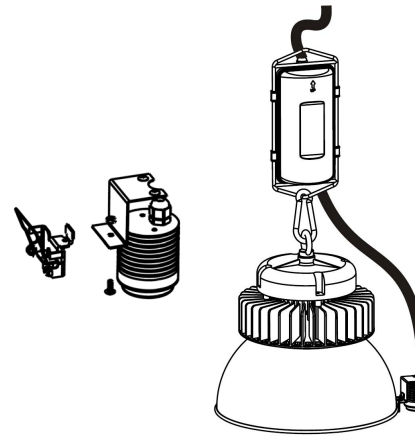


Luminaire Installation

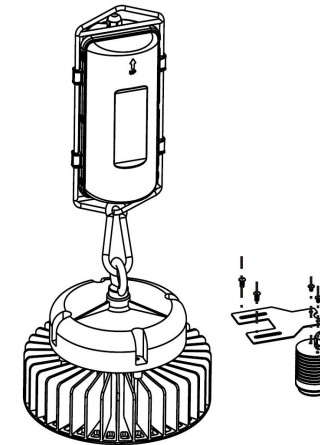
1. Open shell referring to diagram overleaf.
2. Pass luminaire power cable through strain relief gland and connect to top power terminal.
3. Connect battery to PCB header.
4. Snap pod casing onto hanger.
5. Light source can be mounted on compatible luminaire or reflector with supplied brackets.



Reflector Mounting



Luminaire Mounting



Self-Test

During self-test the light source will illuminate and the red indicator LED will flash continuously. On completion the pod returns to normal operation.

Schedule

Every month - 10 minute self-test.

Annually - 3 hours self-test.

LED Status Indicator

Green	Normal operation
Single red flash	Battery failure or not connected
Double red flash	Light source failure
Triple red flash	3Hr self test failed. Battery at end of life

Manual Test

After installation emergency function can be checked by pressing the test button for 3 seconds. The light will illuminate for 5 minutes before resuming normal operation.

Timer Reset

Monthly and annual timers can be reset by pressing the test button for 1s.

