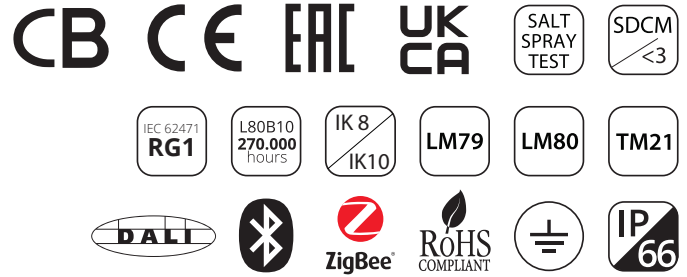
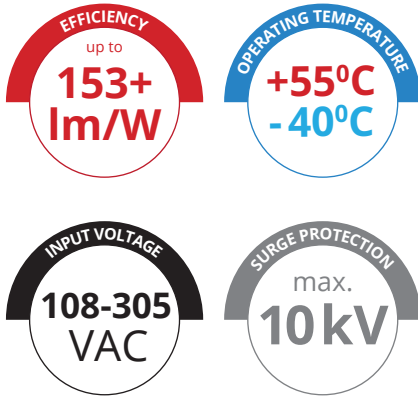


## SENTOR ST

Road & Street Lighting Fixtures



RAL 7037



### Specifications

- IP66 protection
- Aluminium injection body
- Engineered to operate in harsh and hot conditions
- Over **60.000** hours life according to LM80 and TM21 standard
- Up to **153+** lm/W efficiency
- Input voltage range: **108-305VAC** against voltage fluctuation
- **10kV** surge protection
- **-40°C / +55°C** operating temperature
- Aluminum PCB (2,0 W/mK)
- SMD PCB connector
- Special silicone gasket
- Brass cable gland and brass ventilation valve
- Options for catenary, park/garden, road/street applications
- Measurements according to EN 60598-1 standards
- Photometric measurements according to IESNA-LM-79-08

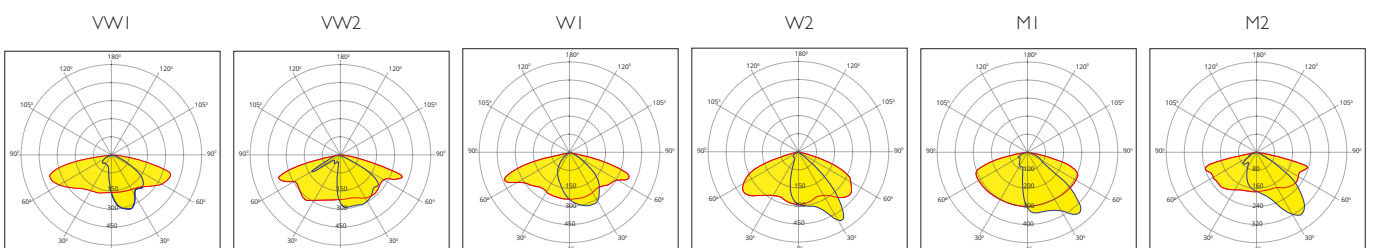
### Application Areas

- Park & Garden Lighting
- Street Lighting

### Optional

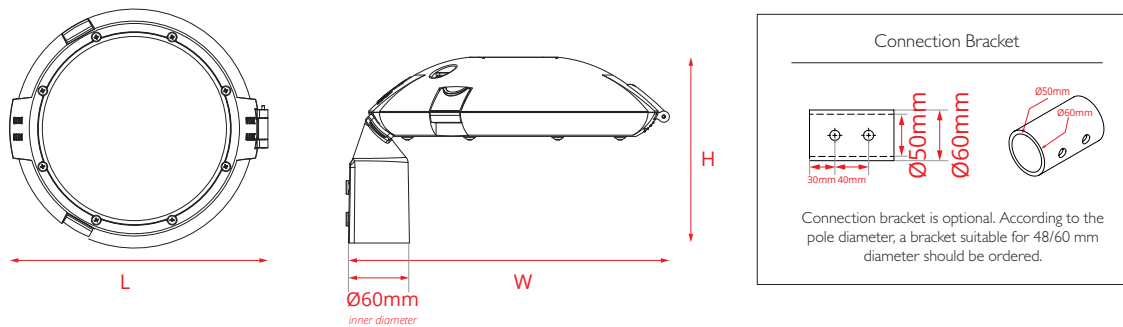
- Marine protective coating
- 5 and 7 pins NEMA socket options
- Sensor, dimming, wireless communication features
- I-10V, DALI automation integration

### Beam Angles

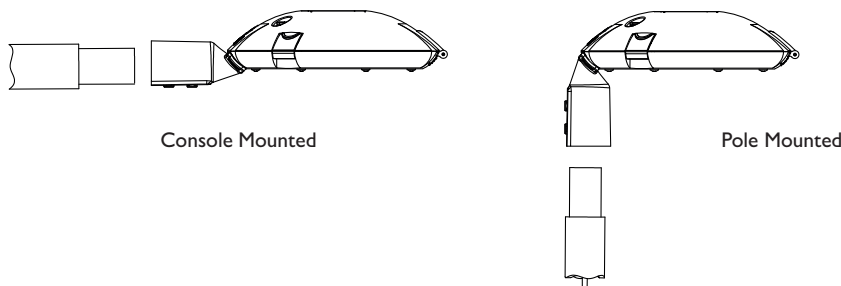


www.smartsystemsuk.com

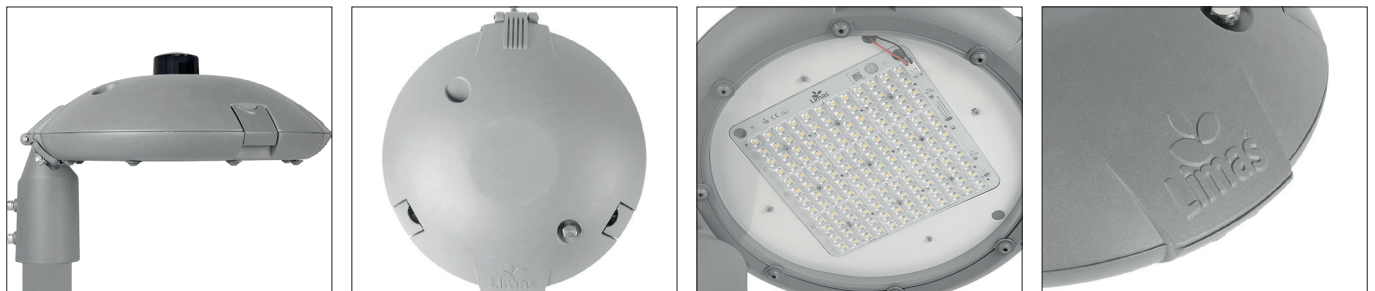
### Dimensions



### Mounting Options



### Product Photos



### Sentor ST

	W	lm	lm/W	LED	▲	K	AC	CRI	IP	L (mm)	W (mm)	H (mm)	gr
SENTOR ST 51	51	7811	153	NICHIA / LUMILEDS SEOUL	M1	4000	108-305VAC	>70	IP66	350	407	234	6500
SENTOR ST 65	65	9625	148	NICHIA / LUMILEDS SEOUL	M1	4000	108-305VAC	>70	IP66	350	407	234	6500
SENTOR ST 80	80	11469	143	NICHIA / LUMILEDS SEOUL	M1	4000	108-305VAC	>70	IP66	350	407	234	6500

Power and lumen values are within  $\pm 5\%$  tolerance

#### Lumen Multiplier Table

CRI	3000K	4000K	5000K	6500K
70	0,95	1,00	1,00	0,97
80	0,88	0,95	0,95	0,93
90	0,75	0,80	0,80	0,80