



## VDL DOWNLIGHTS

LED downlights with separate led driver

LED Recessed Mounted Downlight

A range of LED downlights for commercial installations offering a range of lumen outputs, colour temperatures and accessories.

The downlighters come with a 5 year guarantee and can also be supplied with emergency, dimming options and can be tailored for virtually any output.

- 5 year guarantee
- COB technology
- High efficiency of up to 135 lm/W
- Slim design for easy installation in low false ceiling
- High colour rendering index CRI:  $\geq 85$

### Specification

- Long service life: up to 100,000 hrs. (l80/b10)
- With separate driver
- Up to 135 lm/w
- High quality cob technology
- 5 years guarantee



## VDL/17W

### Indoor LED recessed mounted downlight with aluminium reflector with enclosed separate LED driver for direct connection to mains voltage

Mains voltage: 220-240 V  $\pm$ 10%, 50-60 Hz

Power factor: > 0.95%

Flicker: < 1%, Ripple: < 1%

Reflector:  $\varnothing$  118 mm, aluminium

Material: aluminium diecast

Powder coating: epoxid

Flange colour: white (RAL 9003)

Front part: glass

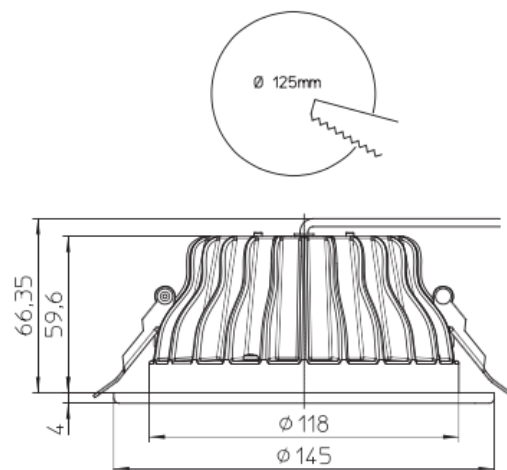
Degree of protection: IP44

(casing: IP20, front part: IP44)

Allowed operating temperature: 0 to 30 °C

Allowed storage temperature: -30 to 60 °C

Colour accuracy initially: 2 SDCM



### Safety features of LED driver

Protection against transient main peaks up to 1 kV  
 (between L and N)

Electronic short-circuit protection

Overload and over temperature protection

Protection against "no load" operation

Degree of protection: IP20, Protection class II, SELV

Part Number	Colour	Correlated Colour Temp K	Power Consumption W	Typ. Luminous Flux* lm	Beam Angle °	Typ. CRI Ra
<b>Clear Glass</b>						
VDL4G2C17W3K-01	Warm White	3000	17	2200	20	85
VDL4G2C17W4K-01	Neutral White	4000	17	2272	20	85
VDL4G2C17W5K-01	Cool White	5000	17	2295	20	85
<b>Frost Glass</b>						
VDL4G2F17W3K-01	Warm White	3000	17	1999	45	85
VDL4G2F17W4K-01	Neutral White	4000	17	2064	45	85
VDL4G2F17W5K-01	Cool White	5000	17	2086	45	85

## VDL/25W

### Indoor LED recessed mounted downlight with aluminium reflector with enclosed separate LED driver for direct connection to mains voltage

Mains voltage: 220–240 V ±10%, 50–60 Hz

Power factor: > 0.95%

Flicker: < 1%, Ripple: < 1%

Reflector: Ø 206 mm, aluminium

Material: aluminium diecast

Powder coating: epoxid

Flange colour: white (RAL 9003)

Front part: glass

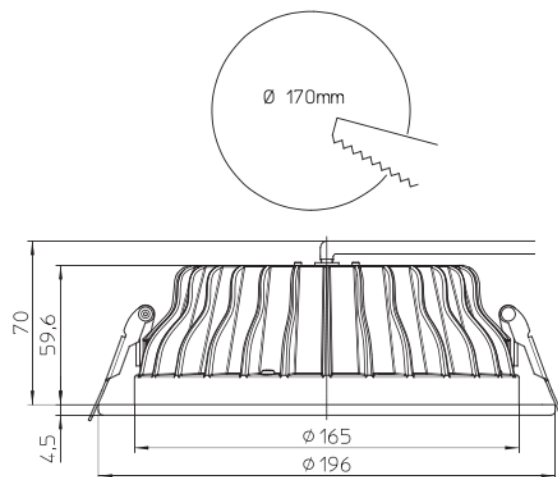
Degree of protection: IP44

(casing: IP20, front part: IP44)

Allowed operating temperature: 0 to 30 °C

Allowed storage temperature: -30 to 60 °C

Colour accuracy initially: 2 SDCM



### Safety features of LED driver

Protection against transient main peaks up to 1 kV  
 (between L and N)

Electronic short-circuit protection

Overload and over temperature protection

Protection against "no load" operation

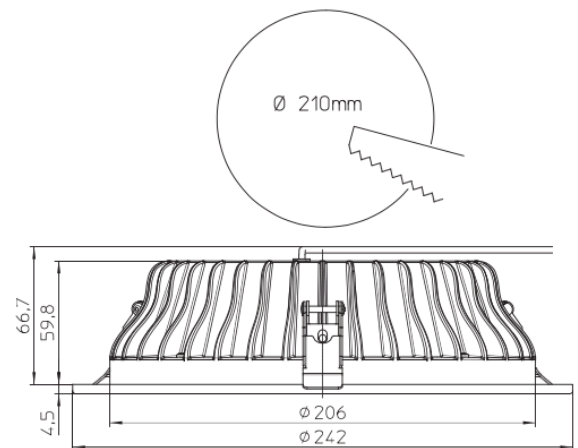
Degree of protection: IP20, Protection class II, SELV

Part Number	Colour	Correlated Colour Temp K	Power Consumption W	Typ. Luminous Flux* lm	Beam Angle °	Typ. CRI Ra
<b>Clear Glass</b>						
VDL6G2C25W3K-01	Warm White	3000	25	3053	75	85
VDL6G2C25W4K-01	Neutral White	4000	25	3152	75	85
VDL6G2C25W5K-01	Cool White	5000	25	3181	75	85
<b>Frost Glass</b>						
VDL6G2F25W3K-01	Warm White	3000	25	2654	75	85
VDL6G2F25W4K-01	Neutral White	4000	25	2741	75	85
VDL6G2F25W5K-01	Cool White	5000	25	2766	75	85

## VDL/32W

**Indoor LED recessed mounted downlight with aluminium reflector with enclosed separate LED driver for direct connection to mains voltage**

Mains voltage: 220-240 V  $\pm$ 10%, 50-60 Hz  
 Power factor: > 0.95%  
 Flicker: < 1%, Ripple: < 1%  
 Reflector:  $\varnothing$  206 mm, aluminium  
 Material: aluminium diecast  
 Powder coating: epoxid  
 Flange colour: white (RAL 9003)  
 Front part: glass  
 Degree of protection: IP44  
 (casing: IP20, front part: IP44)  
 Allowed operating temperature: 0 to 30 °C  
 Allowed storage temperature: -30 to 60 °C  
 Colour accuracy initially: 2 SDCM



**Safety features of LED driver**

Protection against transient main peaks up to 1 kV (between L and N)  
 Electronic short-circuit protection  
 Overload and overtemperature protection  
 Protection against "no load" operation  
 Degree of protection: IP20, Protection class II, SELV

Part Number	Colour	Correlated Colour Temp K	Power Consumption W	Typ. Luminous Flux* lm	Beam Angle °	Typ. CRI Ra
<b>Clear Glass</b>						
VDL8G2C32W3K-01	Warm White	3000	32	3936	70	85
VDL8G2C32W4K-01	Neutral White	4000	32	4066	70	85
VDL8G2C32W4K-01	Cool White	5000	32	4106	70	85
<b>Frost Glass</b>						
VDL8G2F32W3K-01	Warm White	3000	32	3303	88	85
VDL8G2F32W4K-01	Neutral White	4000	32	3424	88	85
VDL8G2F32W5K-01	Cool White	5000	32	3454	88	85