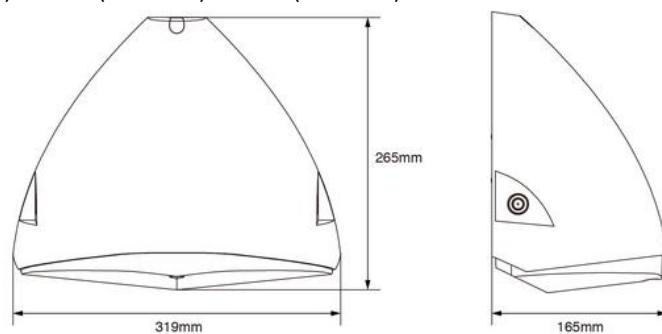


## FIN

### Features

- High efficiency, up to 140lm/w, non-flickering driver
- TCI Driver allows to switch to different outputs: 13W (1700lm) / 18W (2500lm) / 28W (3500lm)
- Adjustable colour temperature: 3000K & 4000K
- Modern and minimalist design, screw-less from front
- IP65 ingress protection and IK10 impact resistance
- Suitable for rear and side cable entry
- Suitable for conduit and BESA box installation
- PCB integrated with diffuser for easy installation
- 5 year warranty



Dimensions

### Order Codes:

Part no.	
FIN/CCT/ANT-01	FIN 13W/18W/28W, 3K/4K, IP65, IK10, Anthracite RAL 7016 finish
FIN/CCT/BLK-01	FIN 13W/18W/28W, 3K/4K,, IP65, IK10, Black RAL 9005 finish
FIN/CCT/ANTZ05	FIN Lithium <b>standard emergency</b> , Anthracite RAL 7016 finish
FIN/CCT/BLKZ05	FIN Lithium <b>standard emergency</b> , Black RAL 9005 finish
FIN/CCT/ANTY05	FIN Lithium <b>self test emergency</b> , Anthracite RAL 7016 finish
FIN/CCT/BLKZ05	FIN Lithium <b>self test emergency</b> , Black RAL 9005 finish

\*Please contact our sales office for other options.