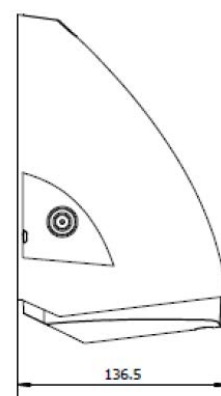
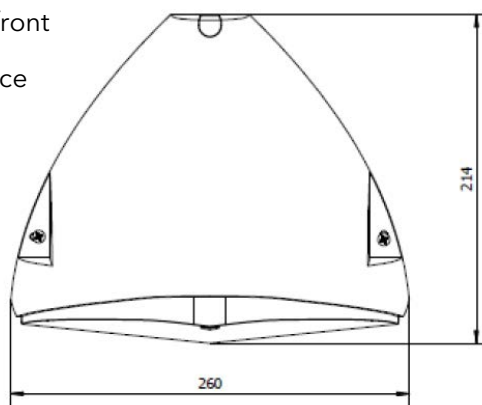




FIN MEDIUM

Features

- High efficiency, up to 136lm/w, non-flickering driver
- TCI Driver allows to switch to different outputs: 7W (950lm) / 8W (1150lm) / 10W (1400lm) / 12W (1550lm)
- Adjustable colour temperature: 3000K & 4000K
- Modern and minimalist design, screw-less from front
- IP65 ingress protection and IK10 impact resistance
- Suitable for rear and side cable entry
- Suitable for conduit and BESA box installation
- PCB integrated with diffuser for easy installation
- 5 year warranty



Specification:

LED Forward Voltage / Current	28.6-35.2V / 200mA; 250mA; 300mA; 350mA
LED Chip Lifetime (L70)	>54000hr
CCT / CRI / SDCM	3000K/4000K / CRI80 / SDCM<6
Running Current	38mA / 42mA / 49mA / 54mA
Beam Angle	102°
Glow Wire Testing (TP rating)	850°C
Temperature	From -20°C to 40°C for mains fitting



Order Codes:

Part no.	
FINM/CCT/ANT-01	FIN Medium 7W/8W/10W/12W, 3K/4K, IP65, IK10, Anthracite RAL 7016 finish
FINM/CCT/BLK-01	FIN Medium 7W/8W/10W/12W, 3K/4K, IP65, IK10, Black RAL 9005 finish
FINM/CCT/ANTZ05	FIN Medium Lithium standard emergency , Anthracite RAL 7016 finish
FINM/CCT/BLKZ05	FIN Medium Lithium standard emergency , Black RAL 9005 finish
FINM/CCT/ANTY05	FIN Medium Lithium self test emergency , Anthracite RAL 7016 finish
FINM/CCT/BLKZ05	FIN Medium Lithium self test emergency , Black RAL 9005 finish

*Please contact our sales office for other options.