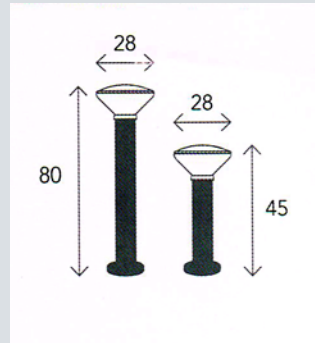
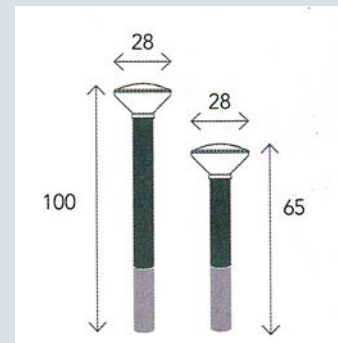


Example of PF/LED/
VDL/FM-01 flat mount



PF/LED/VDL/FM-01 flat mount



PF/LED/VDL/DB-01 direct buried

ANTI VANDAL SOLAR BOLLARD

The strongest bollard you've ever seen! Engineered to perform like conventional bollards, our solar bollards feature high-performing LEDs and finest components for the best and longest performance. Our PF/LED/VDL/FM-01 bollard is constructed and designed to reach the highest vandal resistant rating IK10++ making it almost impossible to break. The PF/LED/VDL/FM-01 is also totally waterproof with an IP68 rating making it ideal for safety and flooded areas.

- > **NO** Electricity consumption
- > **NO** Cost
- > **NO** Trenching
- > **NO** Cabling
- > 5 year warranty (3 years for battery)
- > Microwave motion sensor with 360° coverage, invisible and integrated into the luminaire housing. Detection radius of 4 metres.
- > Available in two different mounting types: direct buried and flat mount



Specification	PF/LED/VDL/FM-01	PF/LED/VDL/DB-01
Mounting	Flat mount	Direct buried
Height	45cm or 80cm available	65cm or 100cm available
Power	5 watt @ 100% / 2.5 watts dim	5 watt @ 100% / 2.5 watts dim
Battery	Lithium Life PO4 12 AH 3.2 volts	Lithium Life PO4 12 AH 3.2 volts
Lumen	560	560
PV Panel	6.3 watt monocrystalline panel	6.3 watt monocrystalline panel
Charging Time	6 hours per day	6 hours per day
Material	Polycarbonate	Polycarbonate
CCT	3000 K –6500 K	3000 K –6500 K
Autonomy	24 hours at full charge	24 hours at full charge
Finish	Black / Grey / Customisable	Black / Grey / Customisable
Temperature	-20°C to + 65°C	-20°C to + 65°C
PIR Motion Sensor	⚙️ Optional	⚙️ Optional