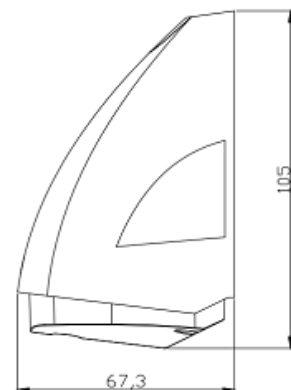
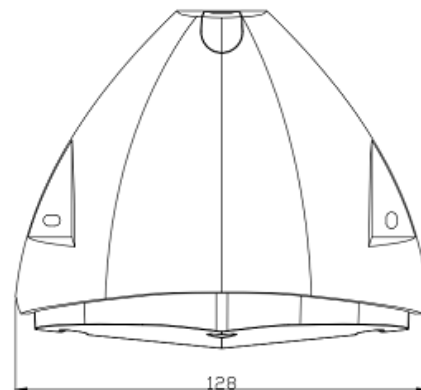


## FIN SMALL

### Features

- High efficiency, up to 127lm/w, non-flickering driver
- TCI Driver- 5W (585lm)
- Adjustable colour temperature: 3000K & 4000K
- Modern and minimalist design, screw-less from front
- IP65 ingress protection and IK10 impact resistance
- Suitable for rear and side cable entry
- Suitable for conduit and BESA box installation
- PCB integrated with diffuser for easy installation
- 5 year warranty



### Specification:

|                               |                                      |
|-------------------------------|--------------------------------------|
| LED Forward Voltage / Current | 11.6-12.8V@350mA                     |
| LED Chip Lifetime (L70)       | >54000hr                             |
| CCT / CRI / SDCM              | 3000K/4000K / CRI80 / SDCM<6         |
| Running Current               | 25mA                                 |
| Beam Angle                    | 104°                                 |
| Glow Wire Testing (TP rating) | 850°C                                |
| Temperature                   | From -20°C to 40°C for mains fitting |



## Order Codes:

| Part no.        |   |
|-----------------|---|
| FINS/CCT/ANT-01 | FIN Small 5W, 3K/4K, IP65, IK10, Anthracite RAL 7016 finish |
| FINS/CCT/BLK-01 | FIN Small 5W, 3K/4K, IP65, IK10, Black RAL 9005 finish      |
|                 |   |
|                 |   |

\*Please contact our sales office for other options.