



# PLUTO

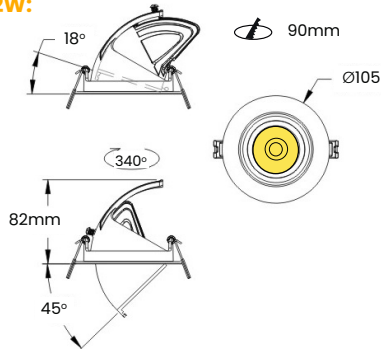
Pluto provides multi-directional wallwash/accent lighting with rotation and angle adjustments. Its adjustable head rotation of 340° and tiltable head of -18° to +45° make them perfect for internal sign lighting. The series comes in three sizes and two colour temperatures, with dimmable and emergency options.

## Product Codes & Specifications

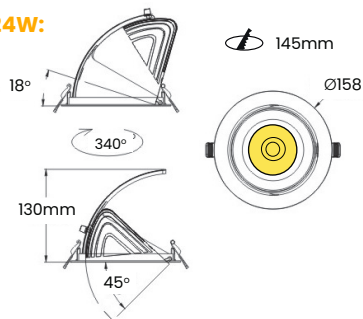
Code	Power	Kelvin	Lumens	Running Current	Cutout (mm)	Weight (kg)
PLU12W/3K-01	12W	3000K	1266	DC350mA	90	0.37
PLU12W/4K-01		4000K	1266			
PLU12W/5K-01		5000K	1282			
PLU24W/3K-01	24W	3000K	2532	DC600mA	145	0.87
PLU24W/4K-01		4000K	2545			
PLU24W/5K-01		5000K	2565			
PLU40W/3K-01	40W	3000K	4240	DC1200mA	170	1.95
PLU40W/4K-01		4000K	4240			
PLU40W/5K-01		5000K	4270			

\* Please call our sales team for dimming & other options

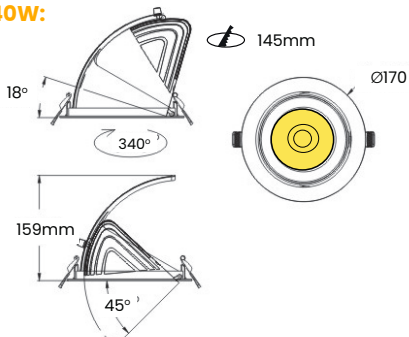
### Pluto 12W:



### Pluto 24W:



### Pluto 40W:



## Overview

Applications	Interior
Construction Material	Aluminium
Diffuser Type	Acrylic as standard, honeycomb louvre as optional - TP(a) rated
IP Rating	IP20
IK Rating	IK05
Mounting	Recessed
Ambient Temperature	-20°C to +45°C (0°C to 40°C for emergency)
Warranty	5 years

## Luminaire Output

Colour Temperature	3000K   4000K
CRI	>90 Ra
Efficacy	~105 Lm/W
Beam Angle	40°
Operating Hours	50,000
Macadam Ellipse	≤3 sdc <sub>m</sub>
L70 B50	100,000 hours
LEDs	Single bin CREE COB

## Supply & Power

Voltage Range	AC220-240V
Power Factor	>0.90
Inrush Current	<60A
Protection Class IEC	Class II
Driver	Remote
Cable entry	Back

