



## SEDFX

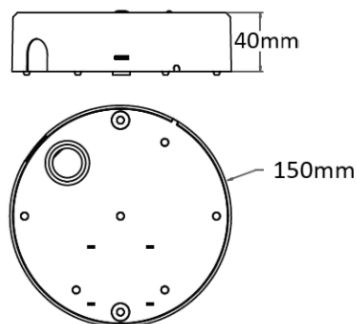
Stand alone NM3, self contained or self test surface emergency downlight. Corridor lens available in 140lm version. Manual test can be performed using the remote control. Cable entry either from rear or via one surface conduit point (not suitable for BESA box)

### Description

- **5-year warranty including batteries**
- Lithium ion battery (serviceable)
- 3hr operation
- Compliant to BS 60598-2-22

### Properties

- Microprocessor controlled battery charging
- Deep discharge protection



### Features :

- Non-maintained
- Fast battery re-charge \*
- Low stand-by power consumption (0.5 W)
- Open area & Corridor lens versions
- Manual Test can be carried out using a remote control. No secret key required.
- IP20
- Self -Test versions available
- Screwless terminal block (Loop in/out)
- Cable entry to side (20mm cut-out) and rear
- Polycarbonate housing

\* First battery charge takes up to 16 hours

Order Codes	
SEDFXL-CO-MT/AST	SURFACE 170LM, CORRIDOR LENS, MANUAL TEST/ADVANCED SELF TEST
SEDFXL-OA-MT/AST	SURFACE 190LM, OPEN AREA LENS, MANUAL TEST/ADVANCED SELF TEST
SEDFX-OA-MT/AST	SURFACE 330LM, OPEN AREA LENS, MANUAL TEST/ADVANCED SELF TEST
SEDFX-CO-MT/AST	SURFACE 290LM, CORRIDOR LENS, MANUAL TEST/ADVANCED SELF TEST
SEDFX-OA-DALI2	SURFACE 330LM, OPEN AREA LENS, DALI2
SEDFX-CO-DALI2	SURFACE 290LM, CORRIDOR LENS, DALI2
FXARC	ADVANCED REMOTE CONTROL

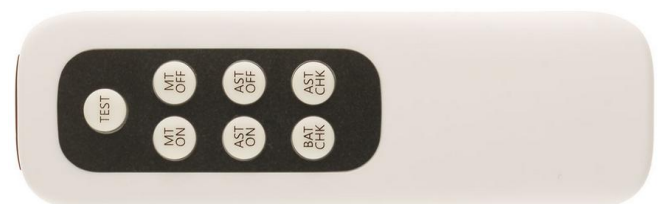
### AST (Advanced Self-Test)

This is a self-test luminaire\*. Functional test is carried out automatically once a week and runs for 30 seconds. Full duration test is carried out automatically every 52 weeks. First full duration test is carried out automatically within the first 4 weeks after the luminaire being connected to mains voltage. This luminaire can be used in conjunction with the Advanced Remote Control (FXARC). FXARC is an optional tool that adds extra features to AST emergency luminaires.

### MT (Manual Test)

This luminaire needs to be tested and test results recorded by a competent person according to BS EN 50172:2004. This luminaire can be used in conjunction with the Advanced Remote Control (FXARC). FXARC is an optional tool that adds new features to AST and MT emergency luminaires. If functional test or full duration test is initiated via FXARC the MT luminaire will automatically switch to mains mode after the functional or full duration test is completed. This luminaire may have an integrated test button for quick functional test.

**Note that MT emergency luminaires work independently from the remote control. FXARC remote control is an optional tool.**



### Advanced Remote Control (FXARC)

FXARC is a multifunction remote control suitable for MT and AST luminaire.

Our FXARC remote control provides the person responsible for the emergency lighting with the means to check battery life and the self-testing status; and carry out functional and full duration tests without needing the use of a ladder or a cherry picker - a key health and safety issue.